

*Hygienic Appliances*

**Malstar**

# SB 230 Sanitary Bin With Pedal



# Sanitary Bin SB 230 With Pedal

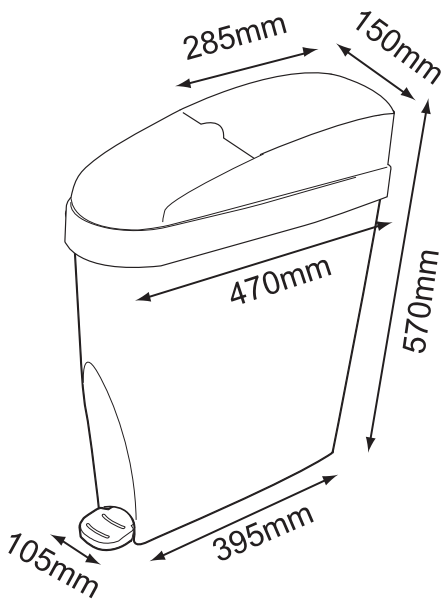
## Standard Features

- \* Unique lid design, contents can't be seen by the user.
- \* Special lock-on feature for easy cleaning.
- \* Bin body made of polypropylene and cover and pedal made of ABS plastic.
- \* Germicidal fluids kills bacteria and sterilizes contents while a perfumed vapor prevents unpleasant odors.
- \* Heavy Duty pedal for hands free sanitary refuse disposal.
- \* Choice of finger lifting.



○ White

○ Grey



## Specification

<b>Item Code</b>	: SB 230
<b>Material</b>	: ABS on bin cover and pedal Polypropylene on body
<b>Capacity</b>	: 20 Litres
<b>Colour</b>	: Grey & White
<b>Packing</b>	: 5 nos per carton
<b>Weight</b>	: 2.20kg