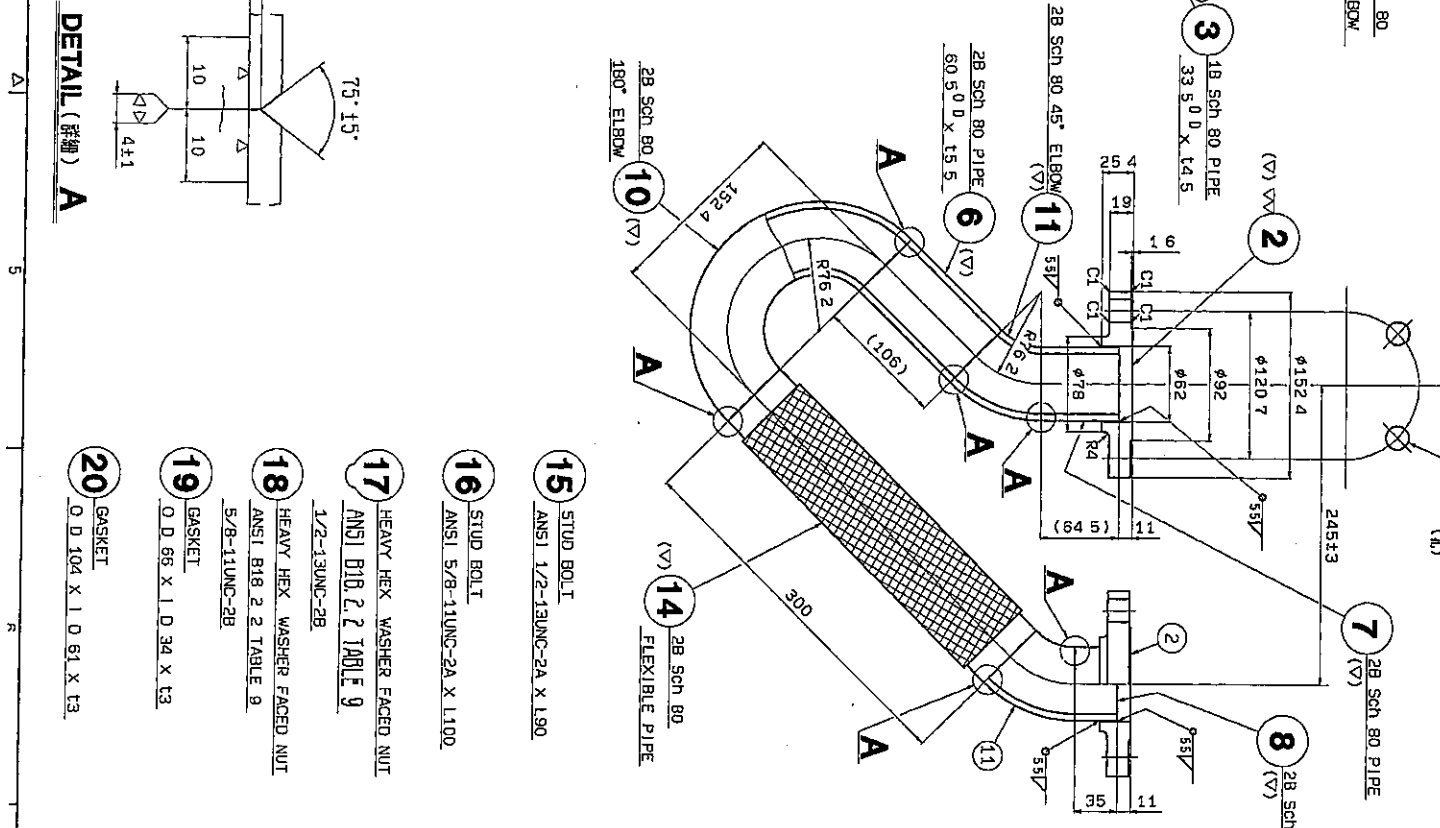
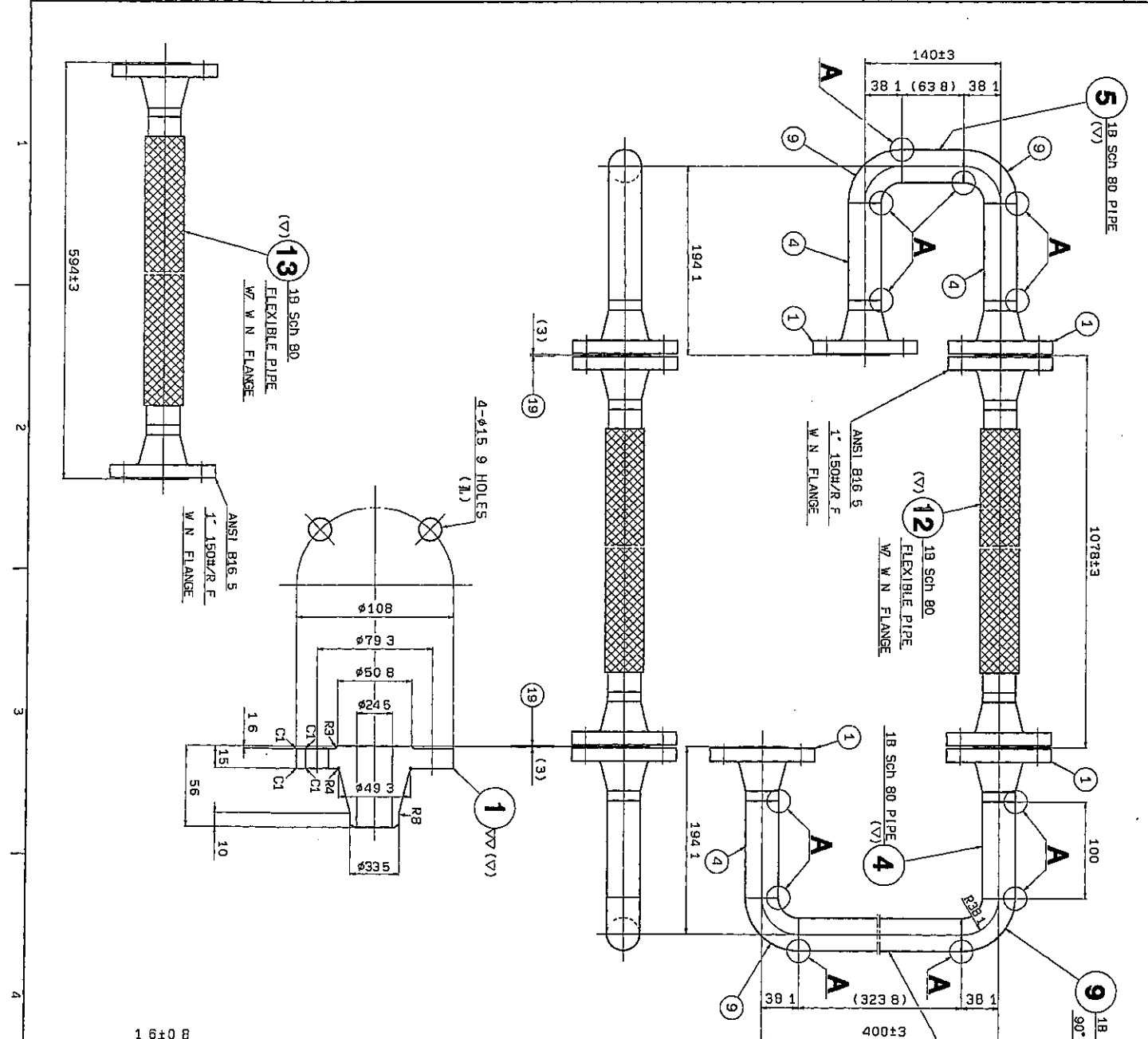


REV. NO.	DATE	BY	CHK.	APP.	DESCRIPTION
1	MAR 27 91	Y. O.	Y. O.	Y. O.	FIRST ISSUE
2	MAR 27 91	Y. O.	Y. O.	Y. O.	REVISED NOZZLE NO. 10
3	MAR 27 91	Y. O.	Y. O.	Y. O.	REV. SECT B-B & G/P PIPE MATERIAL
4	MAR 27 91	Y. O.	Y. O.	Y. O.	FINAL (ADDED DIRECTION)

REVISION NOTE
 A BY CUSTOMER B DESIGN CHANGE C CLERICAL ERROR
 D DRAFT G ERROR E FABRICAT N CONVENIENCE F MACHIN G CONVENIENCE
 G MAT L CONVENIENCE H PRODUCT N CONVENIENCE



ITEM NO.	DESCRIPTION	QTY	UNIT	REMARKS
1	FLANGE	14	14	SA105
2	FLANGE	10	10	SA105
3	PIPE	112	0.037	SA194-2H
4	PIPE	80	0.019	SA193-8TM
5	PIPE	56	0.16	SA193-8TM
6	PIPE	40	0.08	SA193-8TM
7	PIPE	7	0.26	SA105
8	PIPE	7	0.26	SA105
9	PIPE	7	0.26	SA105
10	PIPE	7	0.26	SA105
11	PIPE	7	0.26	SA105
12	PIPE	7	0.26	SA105
13	PIPE	7	0.26	SA105
14	PIPE	7	0.26	SA105
15	PIPE	7	0.26	SA105
16	PIPE	7	0.26	SA105
17	PIPE	7	0.26	SA105
18	PIPE	7	0.26	SA105
19	PIPE	7	0.26	SA105
20	PIPE	7	0.26	SA105

NOTE (注)
 1 UNLESS OTHERWISE SHOW BREAK CORNERS, 0.3X45°.
 (特別に示さなければ、角部は面取り0.3X45°)

THE JAPAN STEEL WORKS, LTD.
 MIYOSAKI PLANT
 C240463