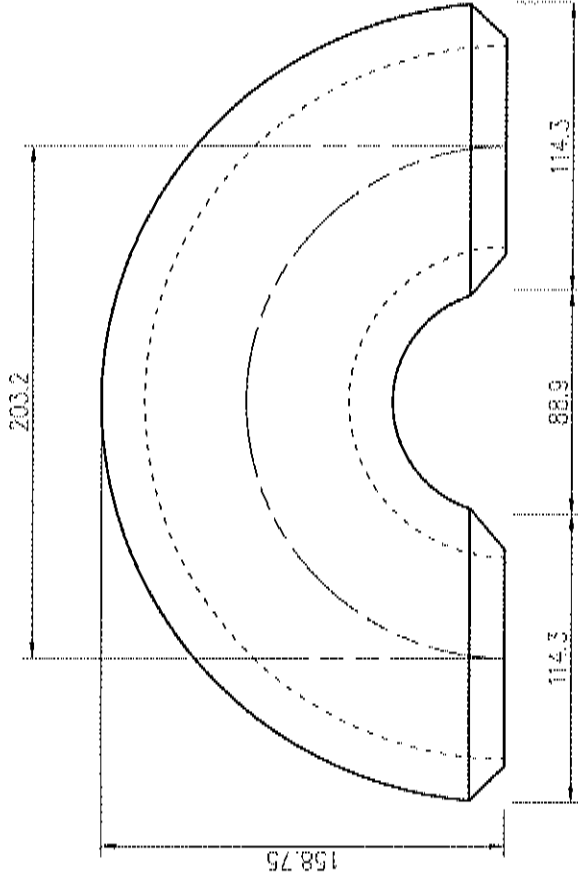


4" 90° SHORT RADIUS ELBOW

BW, SCH XXS

QTY : 28 Nos

OR



4" 180° SHORT RADIUS ELBOW

BW, SCH XXS

QTY : 14 Nos

MATERIAL SPEC.
GRADE ...
SERVICE ...

DATE ...

BY ...

DESCRIPTION ...

QUANTITY ...

DATE ...

BY ...

DESCRIPTION ...

QUANTITY ...

DATE ...

BY ...

DESCRIPTION ...

QUANTITY ...

DATE ...

BY ...

DESCRIPTION ...

QUANTITY ...

ALBERTA TECHNICAL SERVICES - GAS & OIL
P.O. BOX 27245 EDMONTON, ALTA
TEL. 246-8822 FAX 246-8822-4
E-MAIL: info@ats-tls.com

PROJECT: 10K / 2.5K - 4-SMSTU
STEAM HEAT EXCHANGER

90 Deg - 169 Deg

DATE ...

BY ...

DESCRIPTION ...

QUANTITY ...

DATE ...

BY ...

DESCRIPTION ...

QUANTITY ...