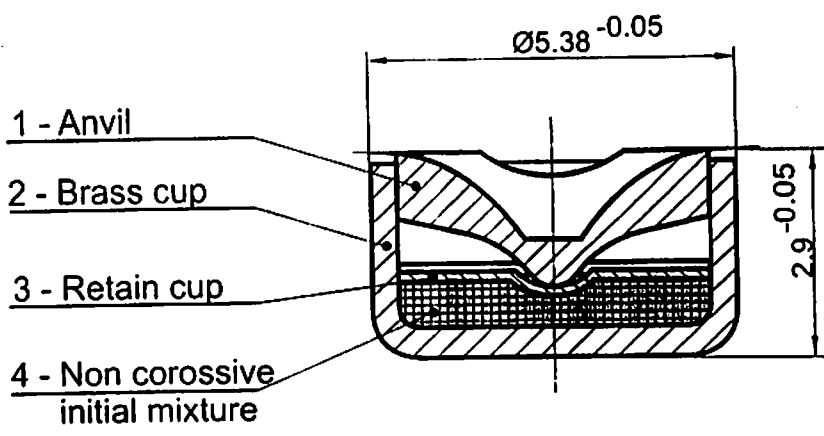


high explosive (H) fuze.

The drawing is the author's property
KRUSIK



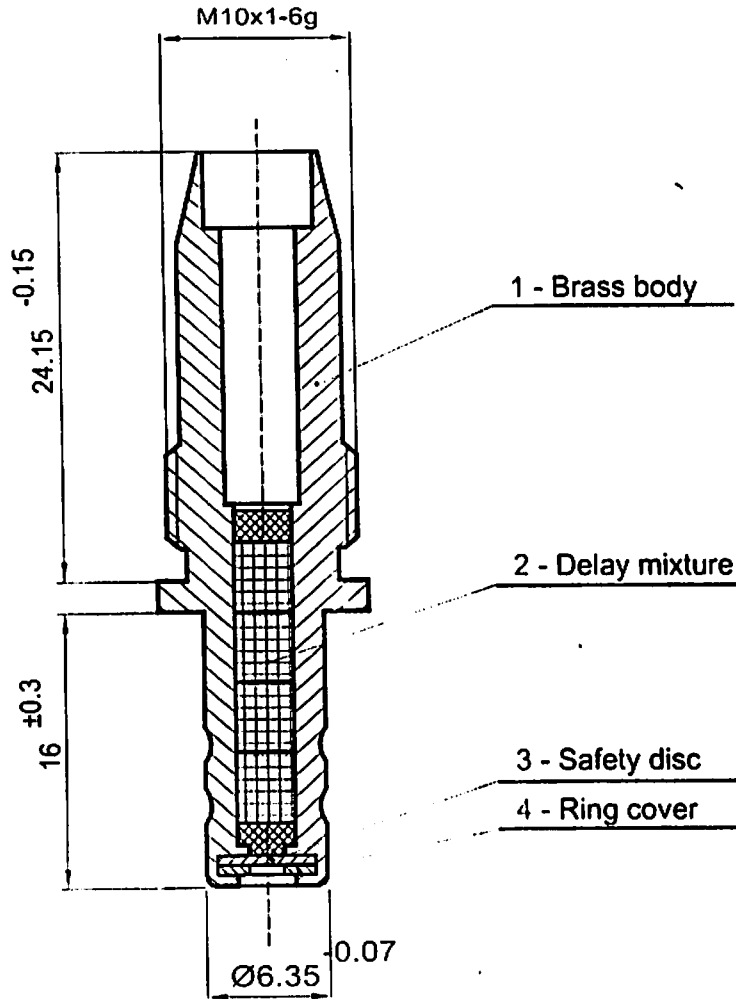
7.4.10.5.14.8.21.30.34
141

Development phase	PT	PK	PP	Oi	feb. 93	Copy	Mass:	Measure: 10:1
							Ref:	
					Processed by VUJIC		Denomination: PERCUSSION CUP E-96	
					Designed by PRIBILOVIC			
					Designed by			
					Approved by PRIBILOVIC			
						Label:		Page: 1
					VALJEVO	1358	01000073190-6515961	
Change	Date	Name	Int.label				-303201911	

High Explosive (HE) Fuse

The drawing is the author's property

KRUSIK



7.4 10.5 14.8 21 30 34

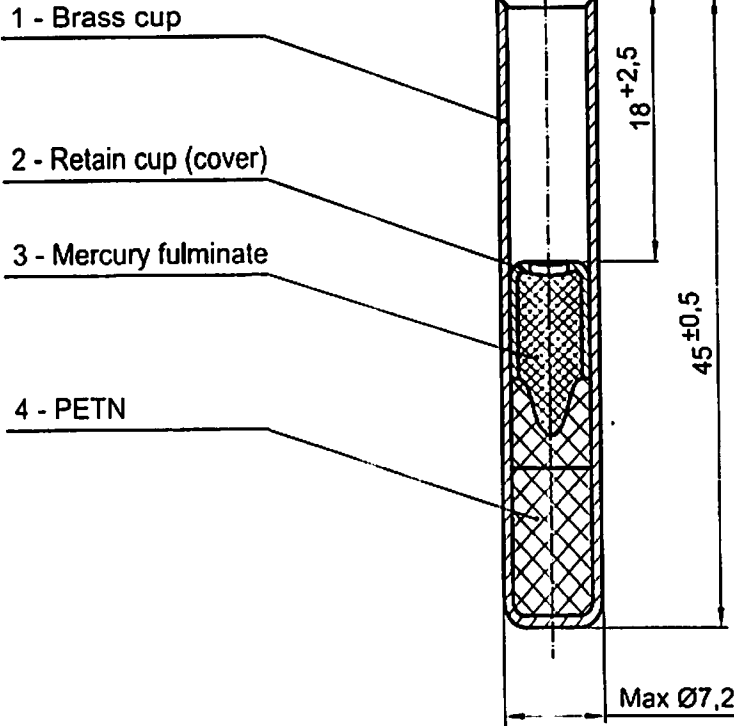
141

Development phase	PT	PK	PP	Oi	nov. 97	Copy	Mass:	Measure: 2.5:1
							Ref:	
				Processed by	IGNJATOVIC		Denomination:	
				Designed by	PRIBILOVIC		DELAY ELEMENT E-97	
				Approved by	PRIBILOVIC		Label:	
					VALJEVO		Page: 4	
Change	Date	Name	Int. label	1358 01000073190-6516041				
				-345768704				

The drawing is the author's property

KRUSIK

High Explosive (HE) Fuzer



7.4.10.5.14.8.21.30.34

141

Development phase	PT	PK	PP	Oi	feb. 93	Copy	Mass:	Measure: 2:1
							Ref:	
				Processed by PERIC			Denomination:	
				Designed by RAKIC			DETONATOR CUP KL-35	
				Approved by MITROVIC			Label:	
							Page:	
				VALJEVO			13 5 8 0 100 00 7 31 9 0 - 6 4 9 7 4 5 9	
							303117611	